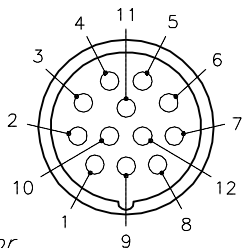


CS12 END VIEW (P1)

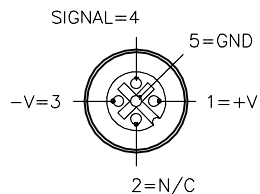


- 1 = +V
- 2 = N/C
- 3 = -V
- 4 = PORT 1-4
- 5 = PORT 2-4
- 6 = PORT 3-4
- 7 = PORT 4-4
- 8 = PORT 5-4
- 9 = PORT 6-4
- 10 = PORT 7-4
- 11 = PORT 8-4
- 12 = GND



M23 connector

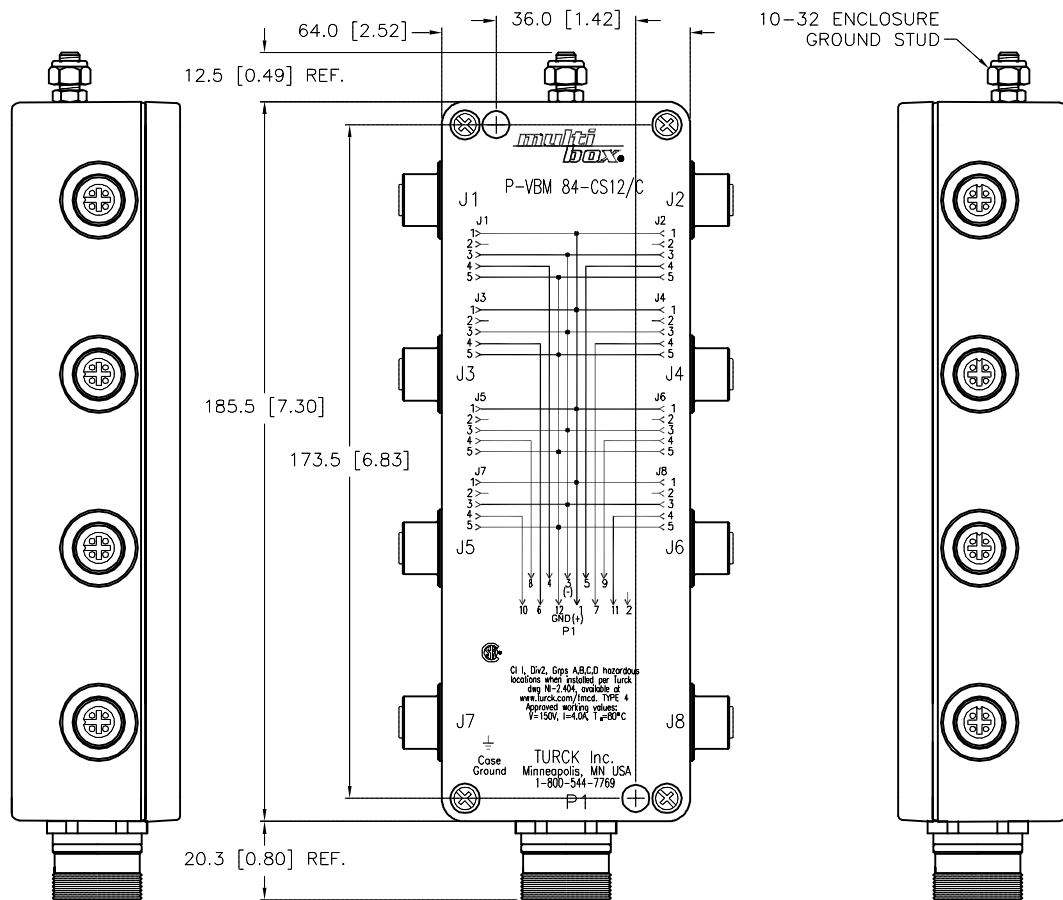
FEMALE END VIEW (J1-J8)



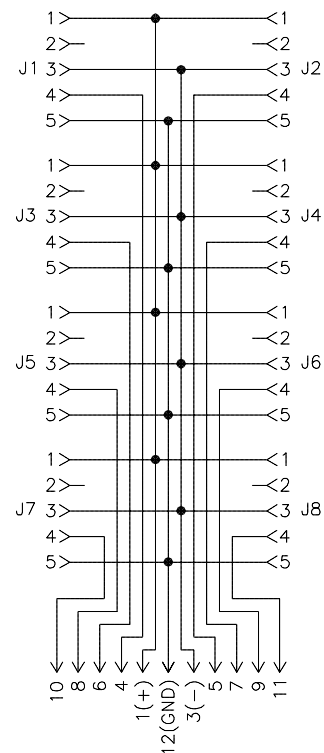
auto fact.

SPECIFICATIONS

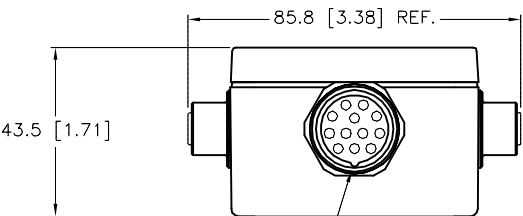
HOUSING MATERIAL	DIE-CAST ALUMINUM ALLOY
HOUSING FINISH/COLOR	POWDER COAT/BLACK
RECEPTACLE HOUSINGS (J1-J8)	BRASS/NICKEL
RECEPTACLE HOUSING (P1)	BRASS/NICKEL
CONTACT CARRIERS/COLOR	NYLON/BLACK (J1-J8), PBT/WHITE (P1)
CONTACTS	BRASS/GOLD
RATED CURRENT [A]	4.0 A
RATED VOLTAGE [V]	150 V
PROTECTION CLASS to DIN 40050	IP 67 - ONLY WHEN ALL RECEPTACLES ARE COVERED WITH PLUGS OR CONNECTED
OPERATING TEMPERATURE	-40°C to 105°C (-40°F to 221°F)



WIRING DIAGRAM



SOURCE DRAWING - FOR REFERENCE ONLY



KEYWAY CAN BE AT ANY ANGLE

RELATED DOCUMENTS

- 1.
- 2.
- 3.
- 4.

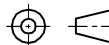
MATERIAL

SEE SPECIFICATIONS

FINISH

SEE SPECIFICATIONS

3RD ANGLE PROJECTION



ALL DIMENSIONS DISPLAYED ON THIS DRAWING ARE FOR REFERENCE ONLY

CONTACT TURCK FOR MORE INFORMATION

THIS DRAWING IS CONFIDENTIAL AND THE PROPERTY OF TURCK INC. USE OF THIS DOCUMENT WITHOUT WRITTEN PERMISSION IS PROHIBITED.

DRFT RWC

APVD

UNIT OF MEASUREMENT
MILLIMETER [INCH]

DO NOT SCALE THIS DRAWING

DATE 03/13/07

SCALE 1=2.0

DESCRIPTION

IDENTIFICATION NO.
U2-10256

FILE: U2-10256

TURCK INC
High Technology Sensors and Automation Controls

3000 CAMPUS DRIVE
MINNEAPOLIS, MN 55441
1-800-544-7769
(763) 553-7300
(763) 553-0708 fax
turck.com

P-VBM 84-CS12/C

REV
B

B	UPDATE VOLTAGE AND CURRENT RATINGS	RDS	06/27/14	46127
REV	DESCRIPTION	BY	DATE	ECO NO.